

VITECTOR

FRABA

RAY-N MONITORED PHOTO EYE



RAY-N

RAY-N photo-eyes are UL325 recognized sensors, using the same proven technology as the OPTOEYE. As with the OPTOEYE or other photo-eye systems, if the signal between transmitter and receiver is interrupted, the sensor sends a signal to the operator to stop and reverse the door. These

sensors are long range (14 m, 45 ft), yet are NEMA 1 rated for price-sensitive applications. The versatility of the threaded design allows for flush mounting (for example, within the guide of a door) or mounting to a bracket for easy installation.

Article Name	Article No.	Description	Interface
RAY-NS 1000	10018690-2	Sensor Set, with 1 m [3 ft] connection cable	Dynamic 2-Wire
RAY-NS 1100	10020377-2	Sensor Set, with 1 m [3 ft] connection cable and added clip accessory	Dynamic 2-Wire
RAY-NS 1001	10020729-2	Sensor Set, with 9 m [30 ft] connection cable	Dynamic 2-Wire

AMERICA
FRABA Inc.

1800 East State Street, Suite 148
Hamilton, NJ 08609-2020, USA
T +1-609-750-8705, F +1-609-750-8703
www.vitector.com, info@vitector.com

EUROPE
FRABA AG

Carlswerkstrasse 13c
D-51063 Cologne, Germany
T +49 221 96213-0, F +49 221 96213-20
www.vitector.com, info@vitector.eu

ASIA
FRABA Pte. Ltd.

20 Kallang Ave #01-00 Pico Creative
Centre, SINGAPORE 339411
T +65 65148880, F +65 62711792
www.vitector.com, info@vitector.sg

VITECTOR

FRABA

RAY-N MONITORED PHOTO EYE

General Data

Protection Class	NEMA 1
Operation Temperature	-12 °C to 74 °C [-10 °F to +165 °F]
Material of the Housing	ABS-PC blend
Diameter of the Housing	25 mm [1 in]
Length of the Housing	50 mm [2 in]
Signaling Cable	PVC Insulation, 2 x 22 AWG
Length of Signaling Cable	Max. length from sensors to signal processing unit: ~200 m [650 ft]
Length of the Cable	0.9 m [3 ft], 9.1 m [30 ft], and customized lengths available
Voltage	+6 V DC to +40 V DC
Output	2-Wire modulated signal
Range	13 m [45 ft]

Mounting

The RAY-N sensors work similar to the OPTOEYE system, they include a washer and nut or clip-mount parts and they allow for easy alignment with a $\pm 2^\circ$ tilt of the eyes. Due to their versatile mechanical design, they can be flush-mounted, bracket-mounted, or mounted within a guide of any door or gate.

Bracket Mount



Flush Mount



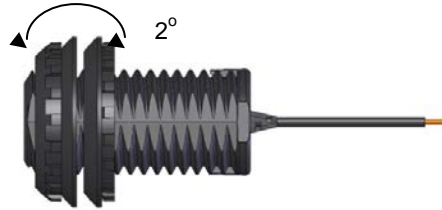
VITECTOR

FRABA

RAY-N MONITORED PHOTO EYE

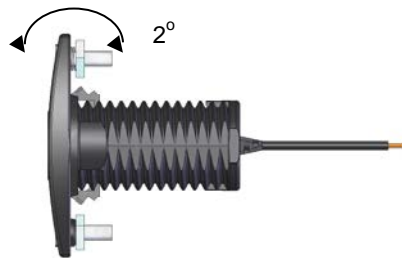
Screw Mount

For the washer mount, sensor may be swiveled for alignment within the washer/nut assembly. Once aligned, the nuts may be tightened to hold the sensor in the appropriate position.



Clip Mount

For the clip mount, using a screw driver, the screw with the spring can be tightened or loosened in order to change the tilt angle of the sensor.

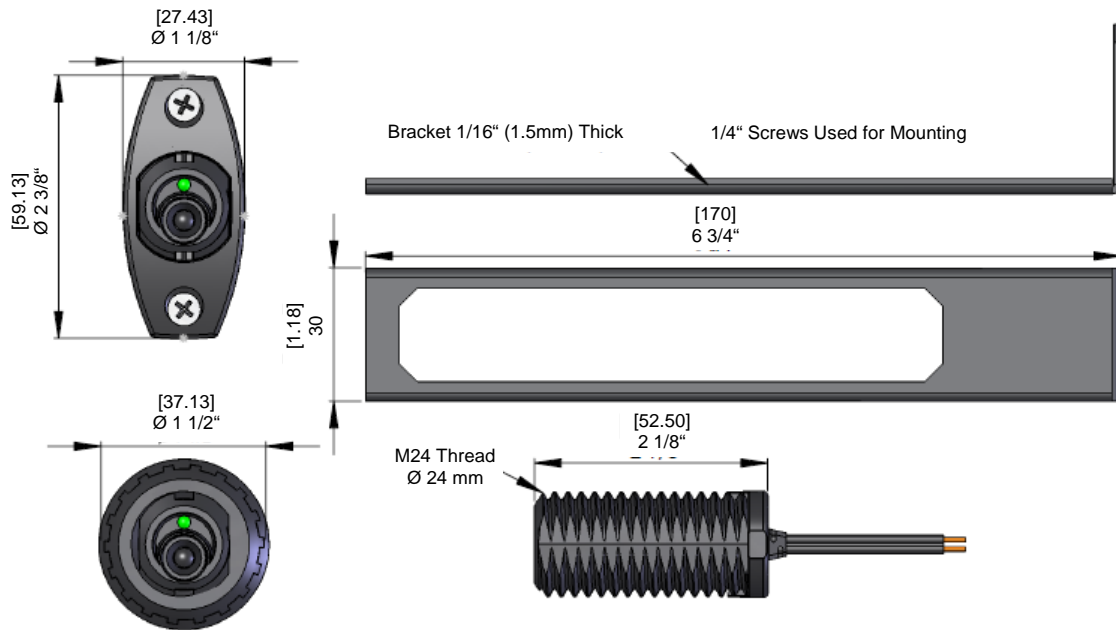


VITECTOR

FRABA

RAY-N MONITORED PHOTO EYE

Dimensions



Disclaimer

© FRABA N.V. all rights reserved. We do not assume responsibility for technical inaccuracies or omissions. Specifications are subject to change without notice.