

VITECTOR

FRABA

RAY-M SENSOR M16 STYLE



Technical Data

Housing Material		PA6 GF30, black, Lens PC clear
Degree of protection		IP 68
Dimensions		Length Tx = 46 mm Rx = 47 mm
		Diameter 16 mm
Operating range		10m
Emitting / receiving angle		+/- 10°
Electrical characteristics		see specifications OSE sensor
RAY-MT 6502	10009747	M16 transmitter, self adjusting, with indicator LED, cable 3x0,14 ² , PVC, 10 m
RAY-MR 6502	10009748	M16 receiver, self adjusting, cable 3x0,14 ² , PVC, 10 m
RAY-MA 0110	10010886	Adjustable locknuts set, PE, black, contains: 4 pcs bevelled locknuts, with M16 tap, serrated edge 4 pcs washers Ø 19
RAY-MA 0120	10010887	Snap mount set, 2 pcs. for mounting hole Ø 20 mm, PE, black

Combined with the special bevelled locknuts it is possible to adjust the sensors in order to achieve a maximal operating range. The transmitters front side indicator LED sensor signals when the light beam is interrupted and flashes at low frequency

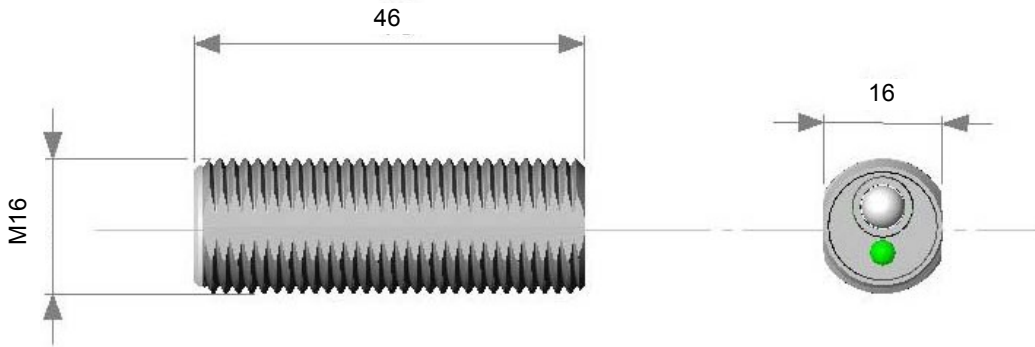
when the automatic sensitivity adjustment has reached the maximum level. On flat surfaces the sensors may be mounted without adjustment with M16 locknuts or in a tapped mounting hole directly.

VITECTOR

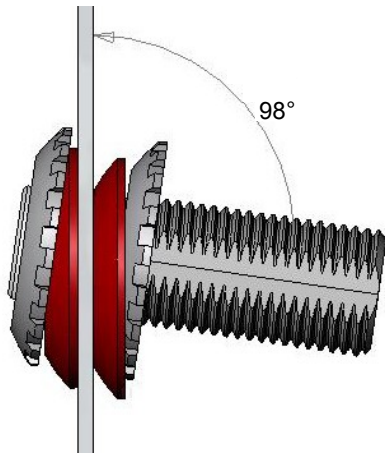
FRABA

RAY-M SENSOR M16 STYLE

Dimensions



All dimensions in [mm]



Disclaimer

© FRABA N.V. all rights reserved. We do not assume responsibility for technical inaccuracies or omissions. Specifications are subject to change without notice.