

PRE-TRAVELING LIGHT BARRIER OPTOGUARD

Product description

The pre-traveling light barrier OPTOGUARD features two telescopic sledges, each of them carrying a pair of photocell-sensors.

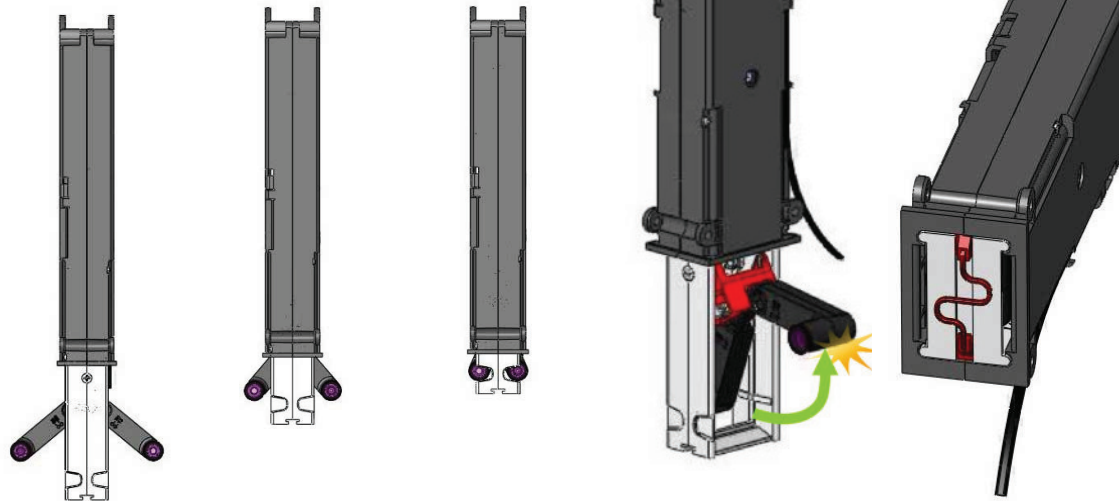
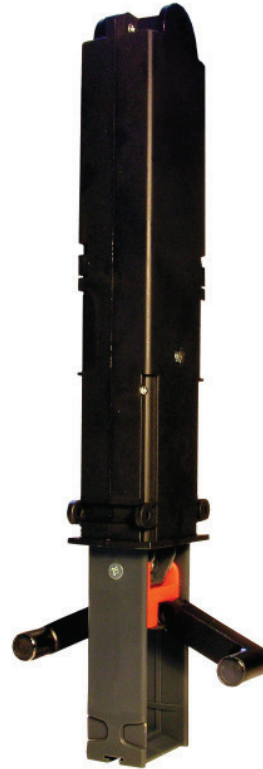
When touching the ground, the sledge is pushed into the plastic housing tensioning a spring.

The shape of the housing forces the sensor arms to perform a 60° rotation when sliding in, eventually locating them in parallel alignment.

The OPTOGUARD is preferentially mounted inside the frame profile of the sectional door.

Thanks to the twin sensor design, the OPTOGUARD system is suitable to safeguard wide door profiles as e.g. used on sectional doors with low threshold wicket doors.

The system can be connected with a 3-wire cable to any OSE interface.



Fully extended during door run, distance 65 mm

Sensor touches floor, begin of retraction

Sensors almost fully retracted (Blinds in sledge are opened)

Sensor unit swivels out when hitting an obstacle

Sensor sledge in fully retracted position, secured by transport lock

PRE - TRAVELING LIGHT BARRIER OPTOGUARD

Technical Data

General technical data OPTOGUARD	
Range	1,5 ... 7 m
Number of beams	2
Protection degree	IP 65
Housing dimensions	Width 40 mm, Height: 260 mm, Depth: 60 mm
Connection cable	1 or 8 m, 4-wire, color indication
Operating temperature	- 10 °C to +55 °C
Operating humidity	15...95%
Operating voltage	5 – 24 V DC (+10 % / -10 %)
Power consumption	max. 60 mA
max. touch down speed	15 cm/s

Wiring

Each part of the OPTOGUARD pair are shipped with 0,5m 4x0,14mm² connection cable. The four wires are connected as stated below:

Colour	Function	Remark
Brown	+12 V DC	Connect in parallel to power supply of control board
White	Ground	Connect in parallel to ground of control board
Green	OSE-signal	Connect in parallel to signal interface of control board
Yellow	OSE-signal	Have to be connected to each other, no connection to control board

Description	Article number	Cable length	Remarks
OGD-2 Master	10008380	1,0 m	
OGD-2 Slave	10008381	1,0 m	
OGD-S-2000	10008379	1,0 / 1,0 m	complete set for one door

PRE-TRAVELING LIGHT BARRIER OPTOGUARD

Dimensions

